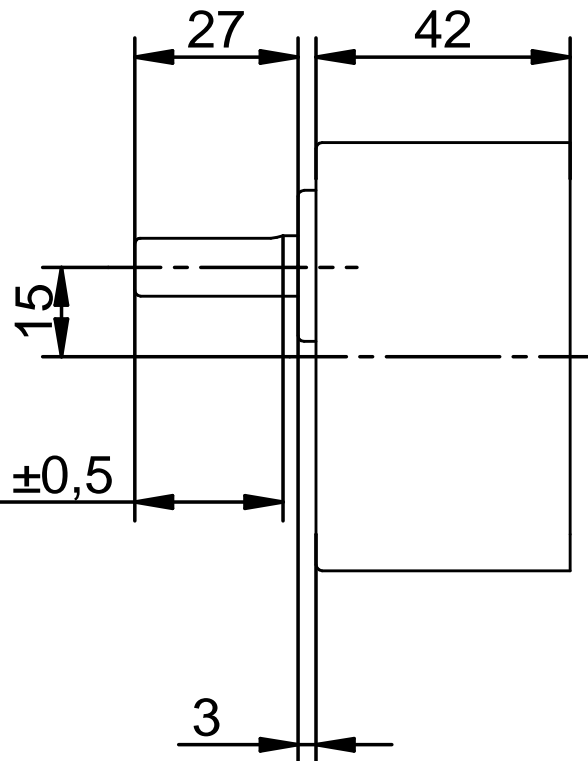


24,5 ± 0,5

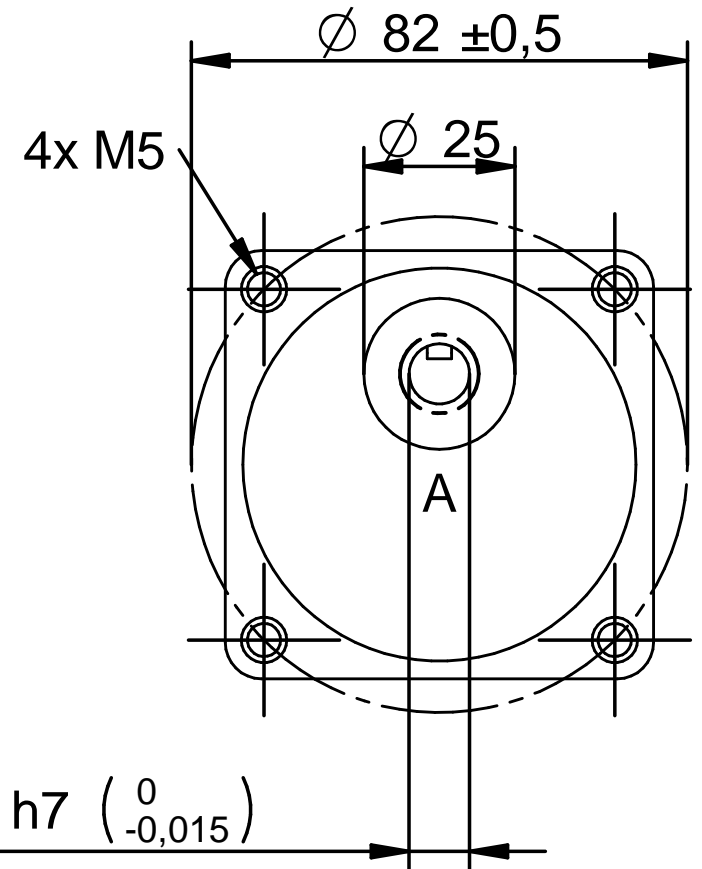


4 ^{+0,04}₀

2,5 ^{+0,1}₀

3

∅ 10 h7 (⁰_{-0,015})



DETAIL A
SCALE 1,5:1

Label

1 Article No.
Date: YY.MM.DD
www.transmotec.com



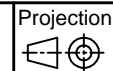
TRANSMOTEC

www.transmotec.com

Article No.
S70A

Base model

Scale
1:1,25



Dimension units
mm

Date
2024-11-08

Rev. Date

Rev. No.

Copyright

This drawing contains confidential information and is the property of Transmotec Sweden AB, without whose permission it may not be copied, shown or handed to a third party or otherwise used and is to be returned promptly upon request to the design owner, who is responsible for the drawing.