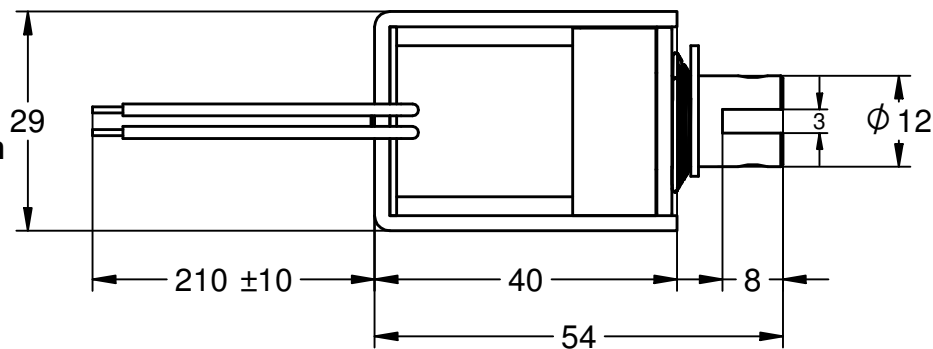

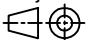


Red wire (+) pull activation
 Red wire (-) release activation



Label

1 Article No.
 Date: YY.MM.DD
 www.transmotec.com

 TRANSMOTEC www.transmotec.com	Article No. K1240L	Base model		
	Scale 1:1	Projection 	Date 2019-10-17	Rev. Date

Copyright

This drawing contains confidential information and is the property of Transmotec Sweden AB, without whose permission it may not be copied, shown or handed to a third party or otherwise used and is to be returned promptly upon request to the design owner, who is responsible for the drawing.