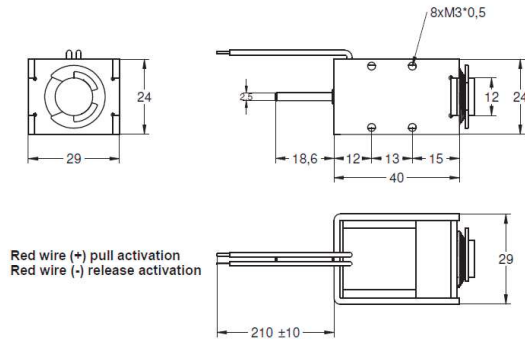


# K1240S (latching push type)

## DRAWING (mm)



## PHOTO



## MODEL NO. DESIGNATION

K1240S - VOLTAGE  
Example: K1240S-12V

## SOLENOID DATA

Duty cycle / ED (%) ▶	Continuous (100%)	Intermittent (50%)	Intermittent (25%)	Intermittent (10%)
Watts @ 20°C ▶	6	12	24	60
Maximum time in energized state (in seconds) ▶	∞	60	30	10

Part ▼	Resistance (20°C) ± 10% (Ω) ▼	DC Volts (V) ▼			
K1240S-06V	6	4.2	6	8.5	13.4
K1240S-12V	24	8.5	12	17	26.8
K1240S-24V	96	17	24	34	53.7

## SOLENOID FEATURES AND STANDARD DATA

	STANDARD	CUSTOMIZATION OPTIONS
Type	Push type latching DC solenoid	
Cable	Flying wire 230mm	Length, type and connector
Voltage	6 to 24 VDC @ 100% ED	Other voltages upon request
Life time	At least 500,000 single strokes	
Plunger material	Carbon steel 12L14	
Protection class	IP00	
Insulation grade	B	
Operating temperature	-5°C ... +40°C	
Manufacturing quality standards	ISO9001:2008, ISO/TS 16949:2002	
RoHS compliance	Yes	
CE approval	No	
UL approval	No	

## ADDITIONAL DATA

Holding force, permanent magnet	2200g
Weight	145g
Return spring	Yes

## SPRING DATA

Loading force @ 5mm compression	60g
---------------------------------	-----

## PLUNGER PROFILE



## DIAGRAM

