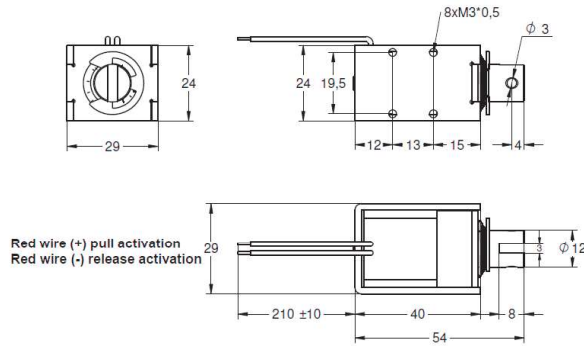


K1240L (latching pull type)

DRAWING (mm)



PHOTO



MODEL NO. DESIGNATION

K1240L - VOLTAGE
Example: K1240L-12V

SOLENOID DATA

Duty cycle / ED (%) ▶	Continuous (100%)	Intermittent (50%)	Intermittent (25%)	Intermittent (10%)
Watts @ 20°C ▶	6	12	24	60
Maximum time in energized state (in seconds) ▶	∞	60	30	10
Part ▼	Resistance (20°C) ± 10% (Ω) ▼	DC Volts (V) ▼		
K1240L-06V	6	4.2	6	8.5
K1240L-12V	24	8.5	12	17
K1240L-24V	96	17	24	34

SOLENOID FEATURES AND STANDARD DATA

	STANDARD	CUSTOMIZATION OPTIONS
Type	Pull type latching DC solenoid	Push type DC solenoid
Cable	Flying wire 230mm	Length, type and connector
Voltage	6 to 24 VDC @ 100% ED	Other voltages upon request
Life time	At least 500,000 single strokes	
Plunger material	Carbon steel 12L14	
Protection class	IP00	
Insulation grade	B	
Operating temperature	-5°C ... +40°C	
Manufacturing quality standards	ISO9001:2008, ISO/TS 16949:2002	
RoHS compliance	Yes	
CE approval	No	
UL approval	No	

ADDITIONAL DATA

Holding force, permanent magnet	2200g
Weight	145g
Return spring	Yes

SPRING DATA

Loading force @ 5mm compression	60g
---------------------------------	-----

PLUNGER PROFILE



DIAGRAM

