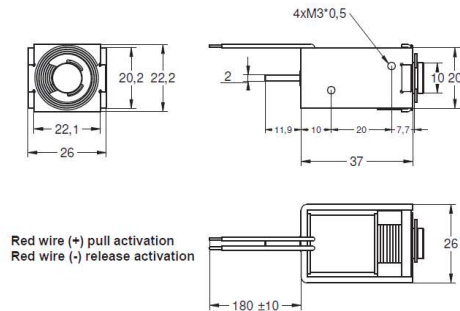


# K1037S (latching push type)

## DRAWING (mm)



## PHOTO



## MODEL NO. DESIGNATION

K1037S - VOLTAGE  
Example: K1037S-12V

## SOLENOID DATA

Duty cycle / ED (%) ▶	Continuous (100%)	Intermittent (50%)	Intermittent (25%)	Intermittent (10%)
Watts @ 20°C ▶	4	8	16	40
Maximum time in energized state (in seconds) ▶	∞	160	90	30

Part ▼	Resistance (20°C) ± 10% (Ω) ▼	DC Volts (V) ▼			
K1037S-06V	9	4.2	6	8.5	13.4
K1037S-12V	36	8.5	12	17	26.8
K1037S-24V	144	17	24	34	53.7

## SOLENOID FEATURES AND STANDARD DATA

	STANDARD	CUSTOMIZATION OPTIONS
Type	Push type latching DC solenoid	
Cable	Flying wire 230mm	Length, type and connector
Voltage	6 to 24 VDC @ 100% ED	Other voltages upon request
Life time	At least 500.000 single strokes	
Plunger material	Carbon steel 12L14	
Protection class	IP00	
Insulation grade	B	
Operating temperature	-5°C ... +40°C	
Manufacturing quality standards	ISO9001:2008, ISO/TS 16949:2002	
RoHS compliance	Yes	
CE approval	No	
UL approval	No	

## ADDITIONAL DATA

Holding force, permanent magnet	2000g
Weight	95g
Return spring	Yes

## SPRING DATA

Loading force @ 10mm compression	73g
----------------------------------	-----

## PLUNGER PROFILE



## DIAGRAM

