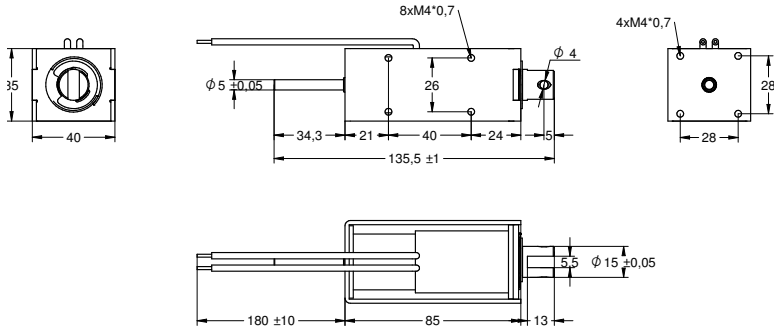


# F1585S (push type)

## DRAWING (mm)



## PHOTO



## MODEL NO. DESIGNATION

F1585S - VOLTAGE

Example: F1585S-12V

## SOLENOID DATA

| Duty cycle / ED (%) ▶                          | Continuous (100%) | Intermittent (50%) | Intermittent (25%) | Intermittent (10%) |
|--|-------------------|--------------------|--------------------|--------------------|
| Watts @ 20°C ▶                                 | 12.7              | 25.4               | 50.8               | 127                |
| Maximum time in energized state (in seconds) ▶ | ∞                 | 160                | 80                 | 32                 |

| Part ▼     | Resistance (20°C) ± 10% (Ω) ▼ | DC Volts (V) ▼ |     |    |    |
|------------|-------------------------------|----------------|-----|----|----|
| F1585S-06V | 2.8                           | 6              | 8.5 | 12 | 19 |
| F1585S-12V | 11.3                          | 12             | 17  | 24 | 38 |
| F1585S-24V | 45.3                          | 24             | 34  | 48 | 76 |

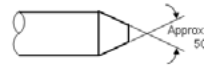
## SOLENOID FEATURES AND STANDARD DATA

|                                 | STANDARD                        | CUSTOMIZATION OPTIONS       |
|---------------------------------|---------------------------------|-----------------------------|
| Type                            | Push type DC solenoid           | Push type DC solenoid       |
| Cable                           | Flying wire 230mm               | Length, type and connector  |
| Voltage                         | 6 to 24 VDC @ 100% ED           | Other voltages upon request |
| Life time                       | At least 500.000 single strokes |                             |
| Plunger material                | Carbon steel 12L14              |                             |
| Protection class                | IP00                            |                             |
| Insulation grade                | B                               |                             |
| Operating temperature           | -5°C ... +40°C                  |                             |
| Manufacturing quality standards | ISO9001:2008, ISO/TS 16949:2002 |                             |
| RoHS compliance                 | Yes                             |                             |
| CE approval                     | No                              |                             |
| UL approval                     | No                              |                             |

## ADDITIONAL DATA

|               |      |
|---------------|------|
| Return spring | Yes  |
| Weight        | 530g |

## PLUNGER PROFILE



## DIAGRAM

