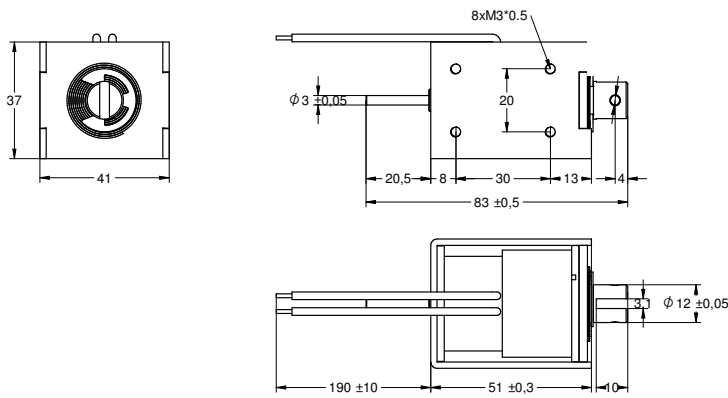


F1250S (push type)

DRAWING (mm)



PHOTO



MODEL NO. DESIGNATION

F1250S - VOLTAGE

Example: F1250S-12V

SOLENOID DATA					
Duty cycle / ED (%) ▶		Continuous (100%)	Intermittent (50%)	Intermittent (25%)	Intermittent (10%)
Watts @ 20°C ▶		7.5	15	30	75
Maximum time in energized state (in seconds) ▶		∞	140	50	9
Part ▼	Resistance (20°C) ± 10% (Ω) ▼	DC Volts (V) ▼			
F1250S-06V	4.8	6	8.5	12	19
F1250S-12V	19.2	12	17	24	38
F1250S-24V	76.8	24	34	48	76

SOLENOID FEATURES AND STANDARD DATA		
	STANDARD	CUSTOMIZATION OPTIONS
Type	Push type DC solenoid	Push type DC solenoid
Cable	Flying wire 230mm	Length, type and connector
Voltage	6 to 24 VDC @ 100% ED	Other voltages upon request
Life time	At least 500.000 single strokes	
Plunger material	Carbon steel 12L14	
Protection class	IP00	
Insulation grade	B	
Operating temperature	-5°C ... +40°C	
Manufacturing quality standards	ISO9001:2008, ISO/TS 16949:2002	
RoHS compliance	Yes	
CE approval	No	
UL approval	No	

ADDITIONAL DATA	
Return spring	Yes
Weight	315g

SPRING DATA	
Loading force @ 20mm compression	85 ± 10g



DIAGRAM

