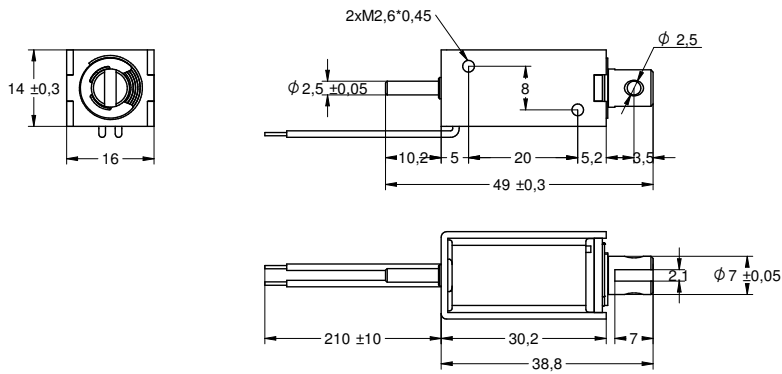


F0730S (push type)

DRAWING (mm)



PHOTO



MODEL NO. DESIGNATION

F0730S - VOLTAGE

Example: F0730S-12V

SOLENOID DATA

Duty cycle / ED (%) ▶	Continuous (100%)	Intermittent (50%)	Intermittent (25%)	Intermittent (10%)
Watts @ 20°C ▶	2.2	4.4	8.8	22
Maximum time in energized state (in seconds) ▶	∞	55	19	3

Part ▼	Resistance (20°C) ± 10% (Ω) ▼	DC Volts (V) ▼			
F0730S-06V	16.4	6	8.5	12	19
F0730S-12V	65.5	12	17	24	38
F0730S-24V	262	24	34	48	76

SOLENOID FEATURES AND STANDARD DATA

	STANDARD	CUSTOMIZATION OPTIONS
Type	Push type DC solenoid	Push type DC solenoid
Cable	Flying wire 230mm	Length, type and connector
Voltage	6 to 24 VDC @ 100% ED	Other voltages upon request
Life time	At least 500.000 single strokes	
Plunger material	Carbon steel 12L14	
Protection class	IP00	
Insulation grade	B	
Operating temperature	-5°C ... +40°C	
Manufacturing quality standards	ISO9001:2008, ISO/TS 16949:2002	
RoHS compliance	Yes	
CE approval	No	
UL approval	No	

ADDITIONAL DATA

Return spring	Yes
Weight	33g

SPRING DATA

Loading force @ 1mm compression	93 ± 5g
---------------------------------	---------

PLUNGER PROFILE



DIAGRAM

