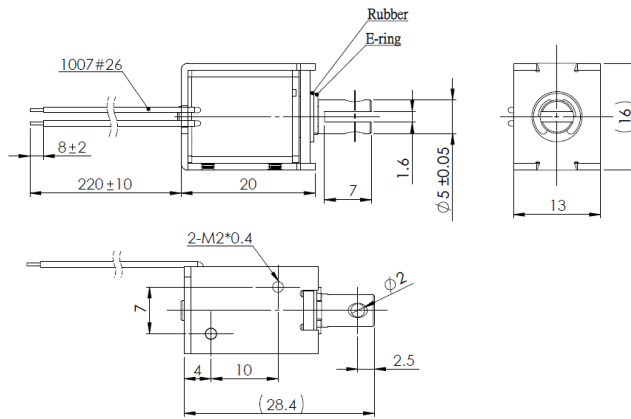


F0520L (pull type)

DRAWING (mm)



PHOTO



MODEL NO. DESIGNATION

F0520L - VOLTAGE
Example: F0520L-12V

SOLENOID DATA				
Duty cycle / ED (%) ▶	Continuous (100%)	Intermittent (50%)	Intermittent (25%)	Intermittent (10%)
Watts @ 20°C ▶	1.6	3.2	6.4	16
Maximum time in energized state (in seconds) ▶	∞	55	19	3
Part ▼	Resistance (20°C) ± 10% (Ω) ▼	DC Volts (V) ▼		
F0520L-06V	23	6	8.5	12
F0520L-12V	90	12	17	24
F0520L-24V	360	24	34	48

SOLENOID FEATURES AND STANDARD DATA			ADDITIONAL DATA	
	STANDARD	CUSTOMIZATION OPTIONS		
Type	Pull type DC solenoid	Push type DC solenoid	Return spring	Yes
Cable	Flying wire 230mm	Length, type and connector	Weight	18g
Voltage	6 to 24 VDC @ 100% ED	Other voltages upon request		
Life time	At least 500.000 single strokes			
Plunger material	Carbon steel 12L14			
Protection class	IP00			
Insulation grade	B			
Operating temperature	-5°C ... +40°C			
Manufacturing quality standards	ISO9001:2008, ISO/TS 16949:2002			
RoHS compliance	Yes			
CE approval	No			
UL approval	No			
			SPRING DATA	
			Loading force @ 3mm compression	18g
			PLUNGER PROFILE	

DIAGRAM

