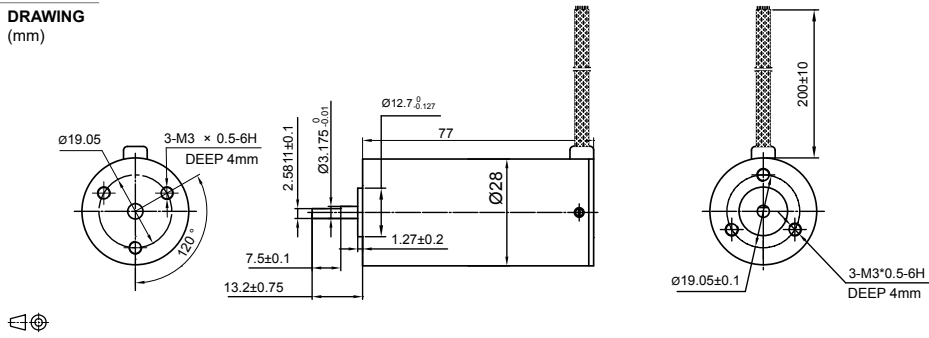


BR2877 / Ø 28mm

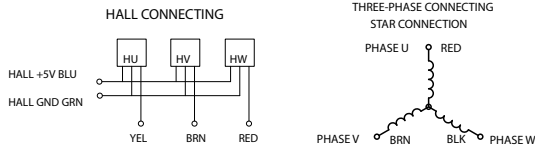
DRAWING (mm)



PHOTO



HALL CONNECTING



MODEL NO. DESIGNATION

MODEL - VOLTAGE

Example: BR2877-12

MOTOR DATA

	Units	BR2877-12	BR2877-24		Units	BR2877
Nominal voltage	V	12	24	Ambient temperature	°C	-15...+40
Nominal power	W	19	19	Max. permissible winding temperature	°C	120
No load speed	rpm	6000	6000	Max. permissible speed	rpm	15000
No load current	mA	40	40	Axial play at axial load < 3,5 N	mm	0.08
Nominal speed	rpm	3700	3700	Axial play at axial load > 3,5 N	mm	0.08
Nominal torque	mNm	60	60	Radial play	mm@g	0.02@450
Nominal current	A	2.7	4.2	Max. axial load (dynamic)	N	4.4
Stall torque	mNm	150	150	Max. force for press fits (static)	N	4.4
Max. Efficiency	%	65	68	Max. force for press fits (static, shaft supported)	N	4.4
Terminal resistance phase to phase	Ω	1.24	4.2	Max. radial loading, 10 mm from flange	N	4
Terminal inductance phase to phase	mH	0.64	2.2	Number of pole pairs		4
Torque constant	mNm / A	18.3	35.56	Number of phases		3
Rotor inertia	gcm ²	10.98	10.98	Weight	g	200