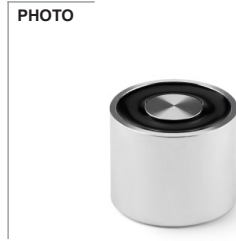
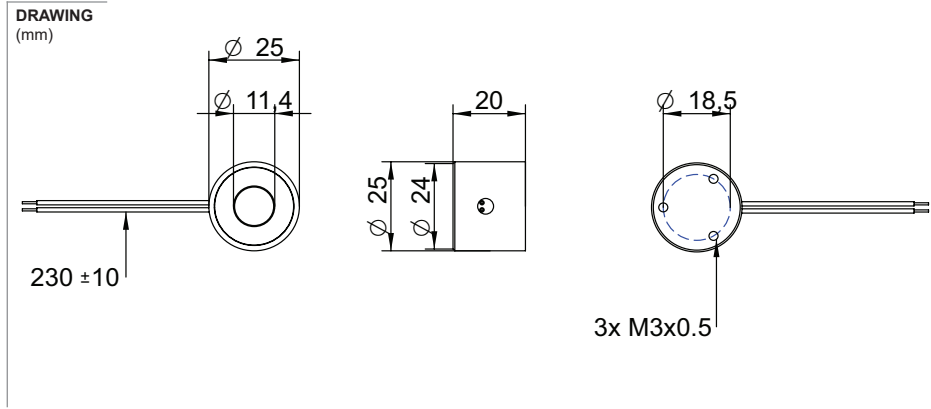


EM2520



MODEL NO. DESIGNATION

EM2520 - VOLTAGE

Example: EM2520-12V

SOLENOID DATA	
Voltage	12V or 24V
Holding force	approx. 60N
Weight	50g
Nominal power	4W

ADDITIONAL DATA	
Insulation grade	B
Dielectric withstand test	600V r.m.s.
Duty cycle	100%

SOLENOID FEATURES AND STANDARD DATA		
	STANDARD	CUSTOMIZATION OPTIONS
Type	Electromagnet	
Cable	Flying wire 230mm	Length, type and connector
Voltage	12 or 24 VDC @ 100% ED	
Life time	500.000 single strokes	
Operating temperature	-20° ... +45°C	Up to +180°C
Manufacturing quality standards	ISO9001, IATF16949	
RoHS compliance	Yes	
CE approval	No	
UL approval	No	