



LATCHING SOLENOIDS | Push type

Transmotec sell a broad range of high quality solenoids in standard and customized configurations. Transmotec is the ideal supplier source especially to instrument and apparatus builders. We keep a high number of motors in stock for immediate delivery.

Customizations include:

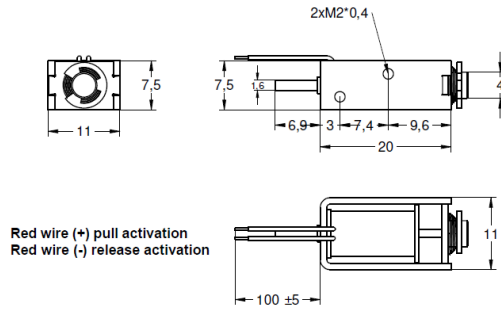
- ✓ Customized harness
- ✓ Winding configuration
- ✓ Plunger configuration
- ✓ And more...

TABLE OF CONTENTS

| Model | Length | Width | Height | Page |
|--------|--------|-------|--------|-------------------|
| K0420S | 20 | 7,5 | 11 | 1 |
| K0520S | 20 | 13 | 16 | 2 |
| K0625S | 25 | 13 | 15 | 3 |
| K0730S | 31 | 16 | 14 | 4 |
| K1037S | 37 | 20 | 26 | 5 |
| K1240S | 40 | 24 | 29 | 6 |
| K1253S | 53,5 | 27 | 30 | 7 |

K0420S (latching push type)

DRAWING (mm)



PHOTO



MODEL NO. DESIGNATION

K0420S - VOLTAGE

Example: K0420S-12V

SOLENOID DATA

| Duty cycle / ED (%) ▶ | Continuous (100%) | Intermittent (50%) | Intermittent (25%) | Intermittent (10%) |
|--|-------------------|--------------------|--------------------|--------------------|
| Watts @ 20°C ▶ | 1 | 2 | 4 | 10 |
| Maximum time in energized state (in seconds) ▶ | ∞ | 18 | 12 | 4 |

| Part ▼ | Resistance (20°C) ± 10% (Ω) ▼ | DC Volts (V) ▼ | | | |
|------------|-------------------------------|----------------|-----|----|----|
| K0420S-06V | 36 | 6 | 8.5 | 12 | 19 |
| K0420S-12V | 144 | 12 | 17 | 24 | 38 |
| K0420S-24V | 576 | 24 | 34 | 48 | 76 |

SOLENOID FEATURES AND STANDARD DATA

| | STANDARD | CUSTOMIZATION OPTIONS |
|---------------------------------|---------------------------------|-----------------------------|
| Type | Push type latching DC solenoid | |
| Cable | Flying wire 230mm | Length, type and connector |
| Voltage | 3 to 24 VDC @ 100% ED | Other voltages upon request |
| Life time | At least 500.000 single strokes | |
| Plunger material | Carbon steel 12L14 | |
| Protection class | IP00 | |
| Insulation grade | B | |
| Operating temperature | -5°C ... +40°C | |
| Manufacturing quality standards | ISO9001:2008, ISO/TS 16949:2002 | |
| RoHS compliance | Yes | |
| CE approval | No | |
| UL approval | No | |

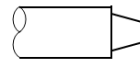
ADDITIONAL DATA

| | |
|---------------------------------|------|
| Holding force, permanent magnet | 100g |
| Weight | 10g |
| Return spring | Yes |

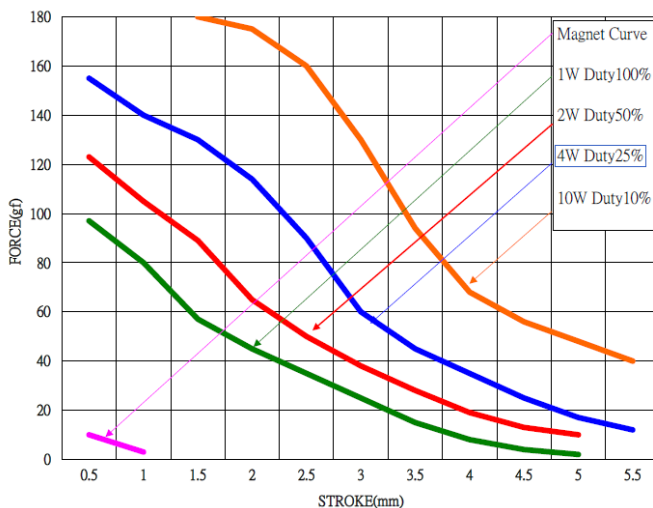
SPRING DATA

| | |
|---------------------------------|-----|
| Loading force @ 3mm compression | 18g |
| Loading force @ ? compression | ? |

PLUNGER PROFILE

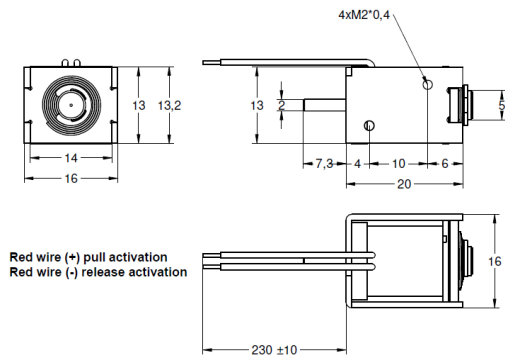


DIAGRAM



K0520S (latching push type)

DRAWING (mm)



PHOTO



MODEL NO. DESIGNATION

K0520S - VOLTAGE

Example: K0520S-12V

SOLENOID DATA

| Duty cycle / ED (%) ▶ | Continuous (100%) | Intermittent (50%) | Intermittent (25%) | Intermittent (10%) |
|--|-------------------|--------------------|--------------------|--------------------|
| Watts @ 20°C ▶ | 1.5 | 3 | 6 | 15 |
| Maximum time in energized state (in seconds) ▶ | ∞ | 18 | 12 | 4 |

| Part ▼ | Resistance (20°C) ± 10% (Ω) ▼ | DC Volts (V) ▼ | | | |
|------------|-------------------------------|----------------|----|-----|------|
| K0520S-06V | 24 | 4.2 | 6 | 8.5 | 13.4 |
| K0520S-12V | 96 | 8.5 | 12 | 17 | 26.8 |
| K0520S-24V | 384 | 17 | 24 | 34 | 53.6 |

SOLENOID FEATURES AND STANDARD DATA

| | STANDARD | CUSTOMIZATION OPTIONS |
|---------------------------------|---------------------------------|-----------------------------|
| Type | Push type latching DC solenoid | |
| Cable | Flying wire 230mm | Length, type and connector |
| Voltage | 6 to 24 VDC @ 100% ED | Other voltages upon request |
| Life time | At least 500.000 single strokes | |
| Plunger material | Carbon steel 12L14 | |
| Protection class | IP00 | |
| Insulation grade | B | |
| Operating temperature | -5°C ... +40°C | |
| Manufacturing quality standards | ISO9001:2008, ISO/TS 16949:2002 | |
| RoHS compliance | Yes | |
| CE approval | No | |
| UL approval | No | |

ADDITIONAL DATA

| | |
|--------------------------------|------|
| Holding force permanent magnet | 200g |
| Weight | 20g |
| Return spring | Yes |

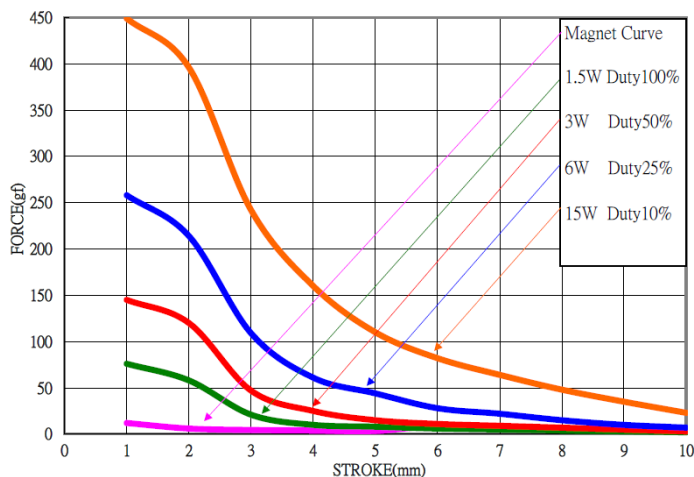
SPRING DATA

| | |
|---------------------------------|-----|
| Loading force @ 3mm compression | 18g |
|---------------------------------|-----|

PLUNGER PROFILE

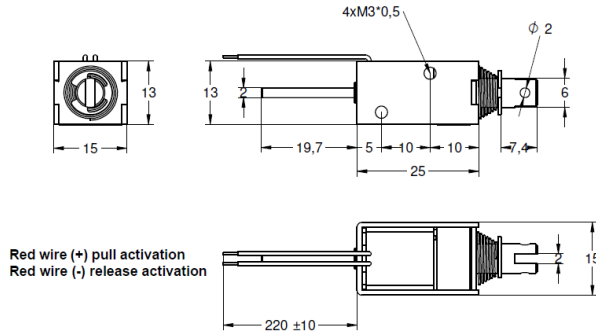


DIAGRAM



K0625S (latching push type)

DRAWING (mm)



PHOTO



MODEL NO. DESIGNATION

K0625S - VOLTAGE

Example: K0625S-12V

SOLENOID DATA

| Duty cycle / ED (%) ▶ | Continuous (100%) | Intermittent (50%) | Intermittent (25%) | Intermittent (10%) |
|--|-------------------|--------------------|--------------------|--------------------|
| Watts @ 20°C ▶ | 2.5 | 5 | 10 | 25 |
| Maximum time in energized state (in seconds) ▶ | ∞ | 60 | 34 | 7 |

| Part ▼ | Resistance (20°C) ± 10% (Ω) ▼ | DC Volts (V) ▼ | | | |
|------------|-------------------------------|----------------|----|-----|------|
| K0625S-06V | 14.4 | 4.2 | 6 | 8.5 | 13.4 |
| K0625S-12V | 57.6 | 8.5 | 12 | 17 | 26.8 |
| K0625S-24V | 230.4 | 17 | 24 | 34 | 53.6 |

SOLENOID FEATURES AND STANDARD DATA

| | STANDARD | CUSTOMIZATION OPTIONS |
|---------------------------------|---------------------------------|-----------------------------|
| Type | Push type latching DC solenoid | |
| Cable | Flying wire 230mm | Length, type and connector |
| Voltage | 6 to 24 VDC @ 100% ED | Other voltages upon request |
| Life time | At least 500.000 single strokes | |
| Plunger material | Carbon steel 12L14 | |
| Protection class | IP00 | |
| Insulation grade | B | |
| Operating temperature | -5°C ... +40°C | |
| Manufacturing quality standards | ISO9001:2008, ISO/TS 16949:2002 | |
| RoHS compliance | Yes | |
| CE approval | No | |
| UL approval | No | |

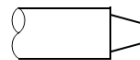
ADDITIONAL DATA

| | |
|---------------------------------|------|
| Holding force, permanent magnet | 300g |
| Weight | 26g |
| Return spring | Yes |

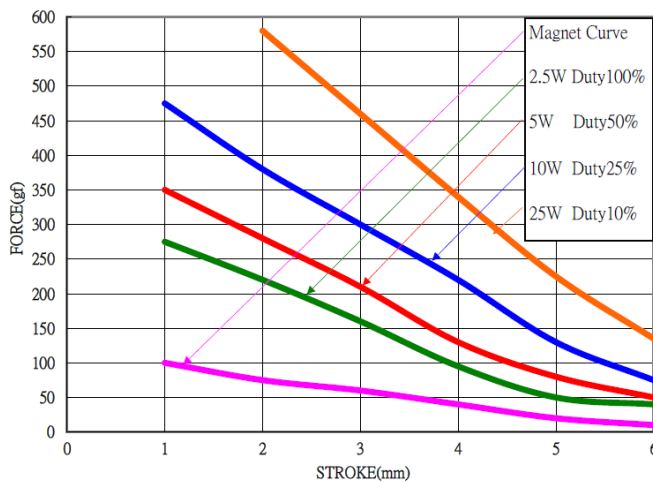
SPRING DATA

| | |
|---------------------------------|-----|
| Loading force @ 1mm compression | 30g |
|---------------------------------|-----|

PLUNGER PROFILE

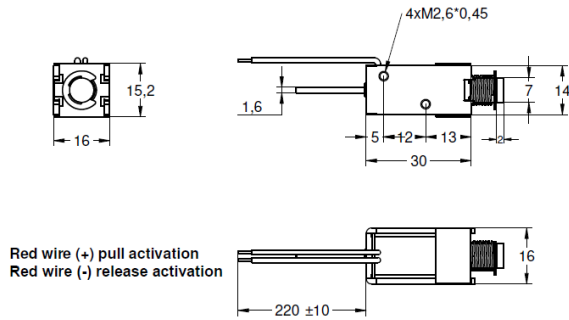


DIAGRAM



K0730S (latching push type)

DRAWING (mm)



PHOTO



MODEL NO. DESIGNATION

K0730S - VOLTAGE

Example: K0730S-12V

SOLENOID DATA

| Duty cycle / ED (%) ▶ | Continuous (100%) | Intermittent (50%) | Intermittent (25%) | Intermittent (10%) |
|--|-------------------|--------------------|--------------------|--------------------|
| Watts @ 20°C ▶ | 3 | 6 | 12 | 30 |
| Maximum time in energized state (in seconds) ▶ | ∞ | 50 | 25 | 8 |

| Part ▼ | Resistance (20°C) ± 10% (Ω) ▼ | DC Volts (V) ▼ | | | |
|------------|-------------------------------|----------------|----|-----|------|
| K0730S-06V | 12 | 4.2 | 6 | 8.5 | 13.4 |
| K0730S-12V | 48 | 8.5 | 12 | 17 | 26.8 |
| K0730S-24V | 192 | 17 | 24 | 34 | 53.7 |

SOLENOID FEATURES AND STANDARD DATA

| | STANDARD | CUSTOMIZATION OPTIONS |
|---------------------------------|---------------------------------|-----------------------------|
| Type | Push type latching DC solenoid | |
| Cable | Flying wire 230mm | Length, type and connector |
| Voltage | 6 to 24 VDC @ 100% ED | Other voltages upon request |
| Life time | At least 500.000 single strokes | |
| Plunger material | Carbon steel 12L14 | |
| Protection class | IP00 | |
| Insulation grade | B | |
| Operating temperature | -5°C ... +40°C | |
| Manufacturing quality standards | ISO9001:2008, ISO/TS 16949:2002 | |
| RoHS compliance | Yes | |
| CE approval | No | |
| UL approval | No | |

ADDITIONAL DATA

| | |
|---------------------------------|------|
| Holding force, permanent magnet | 500g |
| Weight | 35g |
| Return spring | Yes |

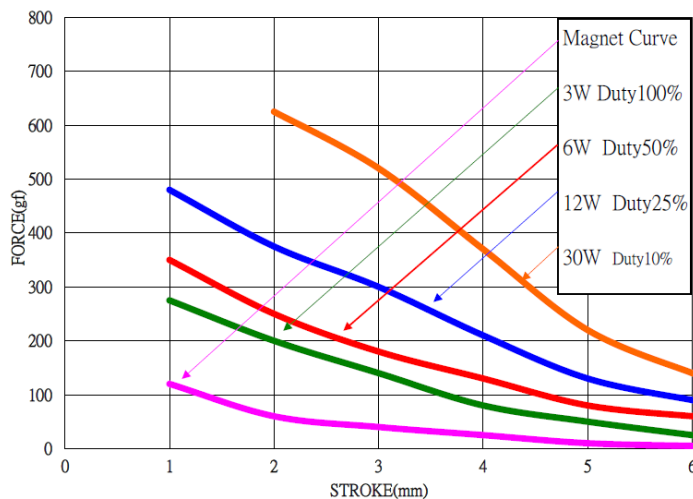
SPRING DATA

| | |
|---------------------------------|---------|
| Loading force @ 1mm compression | 93 ± 5g |
|---------------------------------|---------|

PLUNGER PROFILE

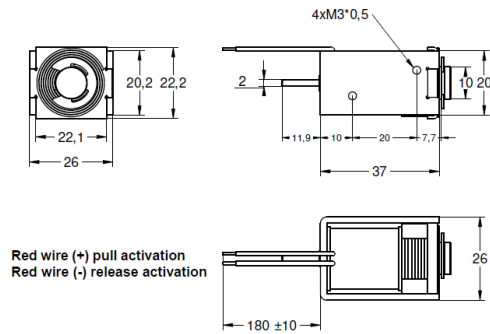


DIAGRAM



K1037S (latching push type)

DRAWING (mm)



PHOTO



MODEL NO. DESIGNATION

K1037S - VOLTAGE

Example: K1037S-12V

SOLENOID DATA

| Duty cycle / ED (%) ▶ | Continuous (100%) | Intermittent (50%) | Intermittent (25%) | Intermittent (10%) |
|--|-------------------|--------------------|--------------------|--------------------|
| Watts @ 20°C ▶ | 4 | 8 | 16 | 40 |
| Maximum time in energized state (in seconds) ▶ | ∞ | 160 | 90 | 30 |

| Part ▼ | Resistance (20°C) ± 10% (Ω) ▼ | DC Volts (V) ▼ | | | |
|------------|-------------------------------|----------------|----|-----|------|
| K1037S-06V | 9 | 4.2 | 6 | 8.5 | 13.4 |
| K1037S-12V | 36 | 8.5 | 12 | 17 | 26.8 |
| K1037S-24V | 144 | 17 | 24 | 34 | 53.7 |

SOLENOID FEATURES AND STANDARD DATA

| | STANDARD | CUSTOMIZATION OPTIONS |
|---------------------------------|---------------------------------|-----------------------------|
| Type | Push type latching DC solenoid | |
| Cable | Flying wire 230mm | Length, type and connector |
| Voltage | 6 to 24 VDC @ 100% ED | Other voltages upon request |
| Life time | At least 500.000 single strokes | |
| Plunger material | Carbon steel 12L14 | |
| Protection class | IP00 | |
| Insulation grade | B | |
| Operating temperature | -5°C ... +40°C | |
| Manufacturing quality standards | ISO9001:2008, ISO/TS 16949:2002 | |
| RoHS compliance | Yes | |
| CE approval | No | |
| UL approval | No | |

ADDITIONAL DATA

| | |
|---------------------------------|-------|
| Holding force, permanent magnet | 2000g |
| Weight | 95g |
| Return spring | Yes |

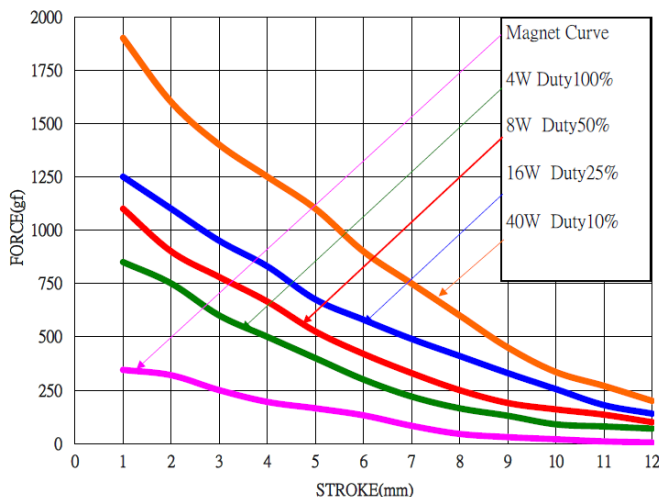
SPRING DATA

| | |
|----------------------------------|-----|
| Loading force @ 10mm compression | 73g |
|----------------------------------|-----|

PLUNGER PROFILE

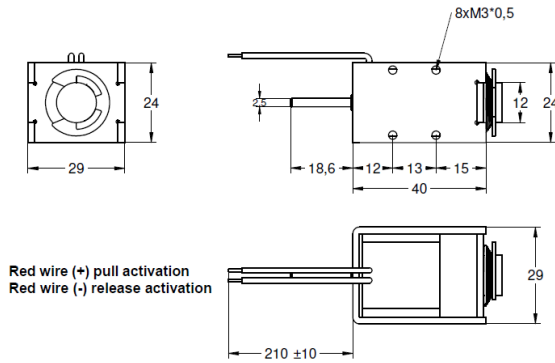


DIAGRAM

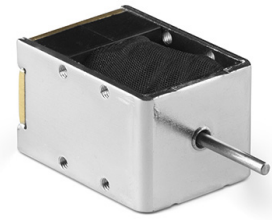


K1240S (latching push type)

DRAWING (mm)



PHOTO



MODEL NO. DESIGNATION

K1240S - VOLTAGE

Example: K1240S-12V

SOLENOID DATA

| Duty cycle / ED (%) ▶ | Continuous (100%) | Intermittent (50%) | Intermittent (25%) | Intermittent (10%) |
|--|-------------------|--------------------|--------------------|--------------------|
| Watts @ 20°C ▶ | 6 | 12 | 24 | 60 |
| Maximum time in energized state (in seconds) ▶ | ∞ | 60 | 30 | 10 |

| Part ▼ | Resistance (20°C) ± 10% (Ω) ▼ | DC Volts (V) ▼ | | | |
|------------|-------------------------------|----------------|----|-----|------|
| K1240S-06V | 6 | 4.2 | 6 | 8.5 | 13.4 |
| K1240S-12V | 24 | 8.5 | 12 | 17 | 26.8 |
| K1240S-24V | 96 | 17 | 24 | 34 | 53.7 |

SOLENOID FEATURES AND STANDARD DATA

| | STANDARD | CUSTOMIZATION OPTIONS |
|---------------------------------|---------------------------------|-----------------------------|
| Type | Push type latching DC solenoid | |
| Cable | Flying wire 230mm | Length, type and connector |
| Voltage | 6 to 24 VDC @ 100% ED | Other voltages upon request |
| Life time | At least 500.000 single strokes | |
| Plunger material | Carbon steel 12L14 | |
| Protection class | IP00 | |
| Insulation grade | B | |
| Operating temperature | -5°C ... +40°C | |
| Manufacturing quality standards | ISO9001:2008, ISO/TS 16949:2002 | |
| RoHS compliance | Yes | |
| CE approval | No | |
| UL approval | No | |

ADDITIONAL DATA

| | |
|---------------------------------|-------|
| Holding force, permanent magnet | 2200g |
| Weight | 145g |
| Return spring | Yes |

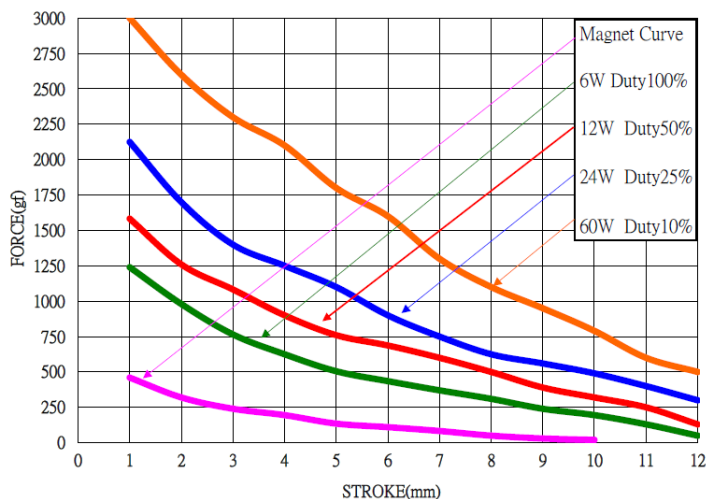
SPRING DATA

| | |
|---------------------------------|-----|
| Loading force @ 5mm compression | 60g |
|---------------------------------|-----|

PLUNGER PROFILE

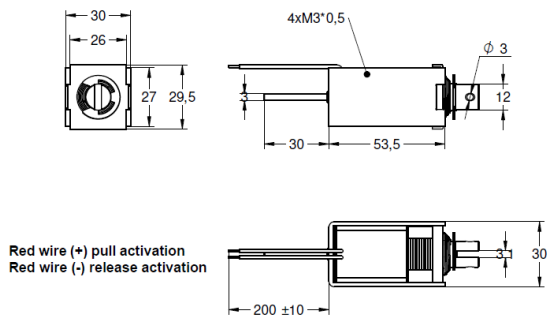


DIAGRAM



K1253S (latching push type)

DRAWING (mm)



PHOTO



MODEL NO. DESIGNATION

K1253S - VOLTAGE
 Example: K1253S-12V

SOLENOID DATA

| Duty cycle / ED (%) ▶ | Continuous (100%) | Intermittent (50%) | Intermittent (25%) | Intermittent (10%) |
|--|-------------------|--------------------|--------------------|--------------------|
| Watts @ 20°C ▶ | 8 | 16 | 32 | 80 |
| Maximum time in energized state (in seconds) ▶ | ∞ | 100 | 50 | 15 |

| Part ▼ | Resistance (20°C) ± 10% (Ω) ▼ | DC Volts (V) ▼ | | | |
|------------|-------------------------------|----------------|----|-----|------|
| K1253S-06V | 4.5 | 4.2 | 6 | 8.5 | 13.4 |
| K1253S-12V | 18 | 8.5 | 12 | 17 | 26.8 |
| K1253S-24V | 72 | 17 | 24 | 34 | 53.7 |

SOLENOID FEATURES AND STANDARD DATA

| | STANDARD | CUSTOMIZATION OPTIONS |
|---------------------------------|---------------------------------|-----------------------------|
| Type | Push type latching DC solenoid | |
| Cable | Flying wire 230mm | Length, type and connector |
| Voltage | 6 to 24 VDC @ 100% ED | Other voltages upon request |
| Life time | At least 500.000 single strokes | |
| Plunger material | Carbon steel 12L14 | |
| Protection class | IP00 | |
| Insulation grade | B | |
| Operating temperature | -5°C ... +40°C | |
| Manufacturing quality standards | ISO9001:2008, ISO/TS 16949:2002 | |
| RoHS compliance | Yes | |
| CE approval | No | |
| UL approval | No | |

ADDITIONAL DATA

| | |
|---------------------------------|-------|
| Holding force, permanent magnet | 2500g |
| Weight | 225g |
| Return spring | Yes |

SPRING DATA

| | |
|----------------------------------|------|
| Loading force @ 10mm compression | 260g |
|----------------------------------|------|

PLUNGER PROFILE



DIAGRAM

